

Pablo®

SOLIS DRUM

SOLIS DRUM

DESCRIPTION

The new Solis Drum Pendant is the latest addition to the elegant Solis suspension family. Featuring a uniquely engaging blend of light and shadow, Solis Drum is made of laser cut polyester fabric combined with an aluminum top and steel bottom ring construction that allows the shade to hang under tension. Solis Drum also employs a stunning LED dome diffuser that spans the diameter of the top ring, radiating light down and sideways to cast shimmering warm patterns onto the space that surrounds it. The effect is a sense of weightlessness that invites a new kind of relationship with the light source. Perfect over a dining table, an entryway or in large groupings.

DESIGNER

Carmine Deganello 2016

MATERIALS

- Chrome plate steel
- Chrome plate aluminum
- Polyester fabric shade
- Fabric cord

FEATURES

- Full range dim control
- Ships flat-packed

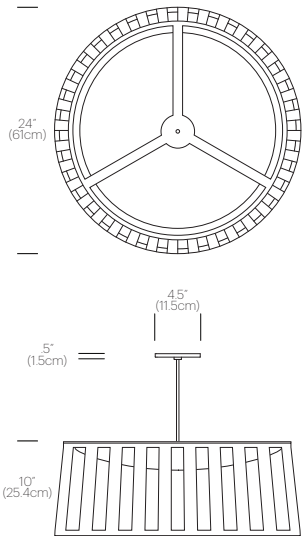
SPECIFICATIONS

- Voltage: 120-277V 50/60Hz
- Power consumption: 35W(24") 80W(36")
- Color temperature: 2700K
- Luminosity: 2500 Lumens (24") 5600L (36")
- Luminaire efficacy: 71 Lumens/Watt (24") 70 Lumens/Watt (36")
- Weight: 11 lbs. (5 kg) 24"
16.4 lbs. (7.5 kg) 36"
- Power cord length: 20' (610cm)
- Certifications: ETL, CE, RoHS

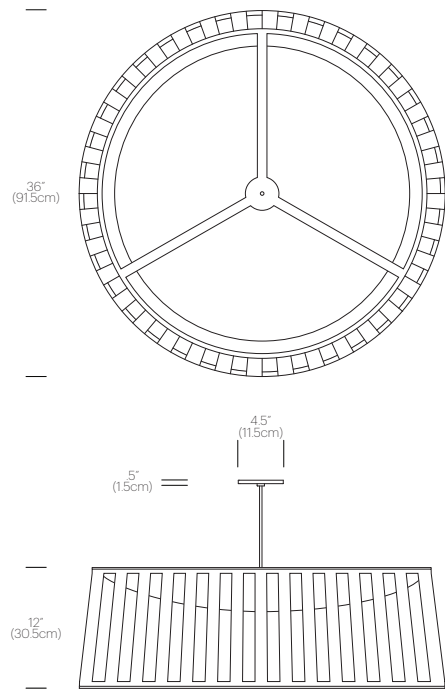


DIMENSIONS

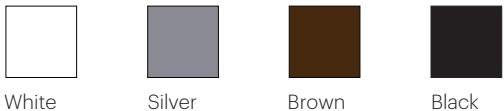
SOLIS DRUM 24



SOLIS DRUM 36



FINISH OPTIONS



Pablo®

888 MARIN STREET SAN FRANCISCO, CA 94124
PABLODESIGNS.COM